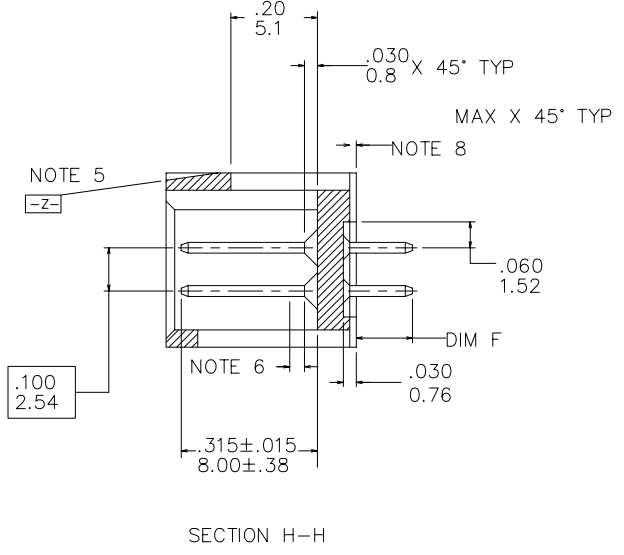
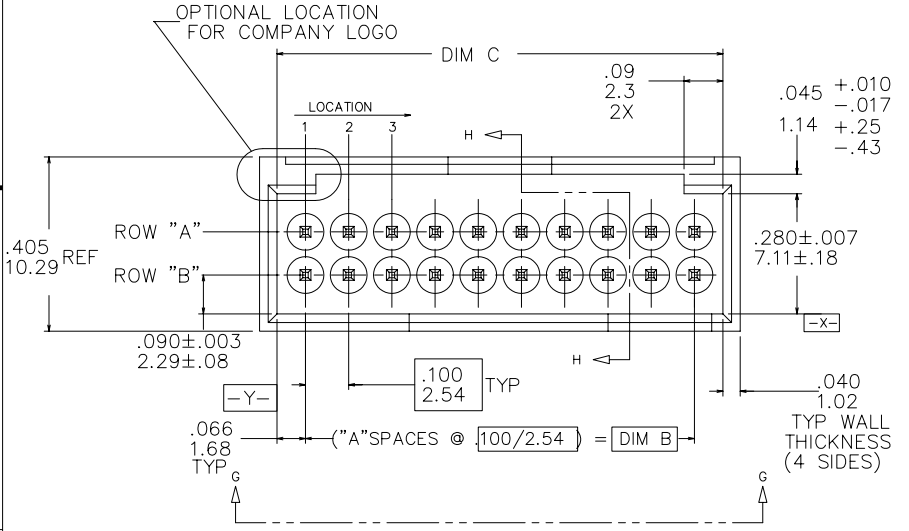
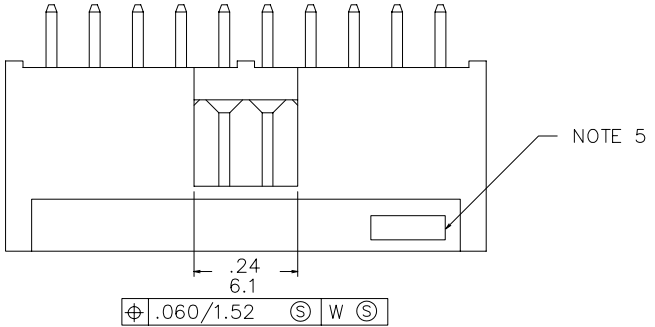


PRODUCT NUMBER
SEE TABLE

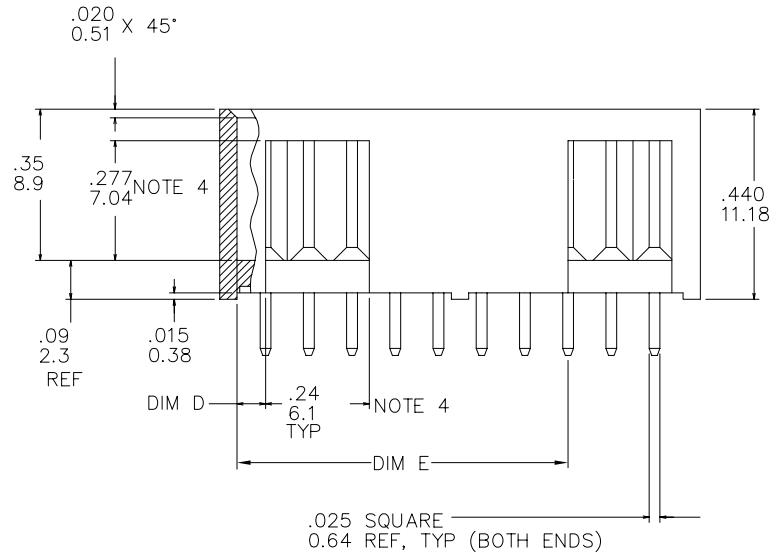


mat'l. code		surface ISO 1302 \checkmark		tolerance ISO 406 ISO 1101		projection $\text{\textcircled{S}}$		product family HEADER	
ltr	ecn no dr	date		tolerances unless otherwise specified		INCH/MM		title	
B	REDIM MRC	9/19/90		angles	.XX \pm .01/.3		STRAIGHT HEADER FOR		
C	M05-0089 MHT	5/26/05		linear	.XXX \pm .005/.13		ROUND WIRE RECEPTACLE		
D	M07-0116 AGS	2/24/07		0° \pm 2'	.XXXX \pm .0020/.051		scale 8:1		
		dr	M. CORNMANN	9/18/90		FCJ		dwg no	
		enr	M. LEACH	9/18/90				sheet 1 of 6	
		chr	M. LEACH	9/18/90				size	
		appd	M. LEACH	9/18/90				A3	
sheet index	revision sheet	D 1	D 2	D 3	D 4	D 5	D 6	type Product Customer Drawing	

FCI
FCIconnect.com
Copyright FCI

PRODUCT NUMBER

SEE TABLE



⊕ .015/.38 ⌀	(M)	X	(M)	Y	(M)	AT TIPS, TYP
⊕ .006/.15 ⌀	(M)	X	(M)	Y	(M)	AT BASE, TYP

VIEW G-G

NOTES:

1. TERMINAL MAT'L: 3/4 HARD PHOS. BRONZE ALLOY UNS-C51000.
2. TERMINAL PLATING; 30μ"/0.76μ PdNi OVER 50μ"/1.27μ Ni PLATING ON SWAGED TIPS MANUFACTURES OPTION.
3. MOLDING MAT'L; GLASS FILLED POLYESTER, FLAME RETARDANT PER UL-94V-0. COLOR BLACK.
- ④ .020/.51 MAX FLASH AROUND ALL WINDOWS.
- ⑤ COMPANY LOGO MOLDED IN ON DATUM SURFACE -Z- APPROX. AS SHOWN.
- ⑥ .030/.76 MAX FLASH PERMISSIBLE ON THIS END OF PINS.
7. OTHER PLATINGS ARE AVAILABLE ON 68663,68664 AND 68665.
8. .015/.38 MAX FLASH PERMISSIBLE ON THIS END OF PIN
- ⑨ ADD "LF" SUFFIX AT THE END OF PART NUMBER FOR LEAD FREE OPTION.
10. THE HOUSING WILL WITHSTAND EXPOSURE TO 260°C PEAK TEMPERATURE FOR 15 SECONDS IN A WAVE SOLDER APPLICATION WITH A 1.5mm MINIMUM THICK CIRCUIT BOARD. SEE APPLICATION NOTES/PROCEDURES IF THEY ARE AVAILABLE.
11. THIS PRODUCT MEETS EUROPEAN UNION DIRECTIVES AND OTHER COUNTRY REGULATION AS DESCRIBED IN GS-22-008.



FCIconnect.com

Copyright FCI

mat'l. code		surface ISO 1302 ✓		tolerance ISO 406 ISO 1101		projection ⊕		product family HEADER	
ltr	ecn	no	dr	date		tolerances unless otherwise specified		title	
D						angles	linear	INCH/MM	
						0°±2'	.XX±.01/.3	STRAIGHT HEADER FOR ROUND WIRE RECEPTACLE	
							.XXX±.005/.13	scale 8:1	
						dr	M. CORNMAN	9/18/90	dwg no
						enr	M. LEACH	9/18/90	sheet 2 of 6
						chr	M. LEACH	9/18/90	size
						appd	M. LEACH	9/18/90	A3
sheet index		revision sheet						type Product Customer Drawing	

PRODUCT NO	NO.OF		A	DIM B	DIM B	DIM C	DIM C	REAR SLOT VIEW G-G				DIM F	DIM F	TERMINAL		POL. POS	
	NOTE 9	POS						PINS	SPACES	ENGLISH	METRIC			ENGLISH	METRIC	ENGLISH	METRIC
68666-001	6	6	2	0.200	5.08	0.332	8.43	0.066	1.68	0.000	0.00	0.130	3.30	30u"/0.76μ GXT	----	----	
68666-002	8	8	3	0.300	7.62	0.432	10.97	0.066	1.68	0.000	0.00	0.130	3.30				
68666-003	10	10	4	0.400	10.16	0.532	13.51	0.166	4.22	0.000	0.00	0.130	3.30				
68666-004	12	12	5	0.500	12.70	0.632	16.05	0.166	4.22	0.000	0.00	0.130	3.30				
68666-005	14	14	6	0.600	15.24	0.732	18.59	0.266	6.76	0.000	0.00	0.130	3.30				
68666-006	16	16	7	0.700	17.78	0.832	21.13	0.266	6.76	0.000	0.00	0.130	3.30				
68666-007	18	18	8	0.800	20.32	0.932	23.67	0.366	9.30	0.000	0.00	0.130	3.30				
68666-008	20	20	9	0.900	22.86	1.032	26.21	0.066	1.68	0.766	19.46	0.130	3.30				
68666-009	22	22	10	1.000	25.40	1.132	28.75	0.066	1.68	0.866	22.00	0.130	3.30				
68666-010	24	24	11	1.100	27.94	1.232	31.29	0.066	1.68	0.966	24.54	0.130	3.30				
68666-011	26	26	12	1.200	30.48	1.332	33.83	0.066	1.68	1.066	27.08	0.130	3.30				
68666-012	28	28	13	1.300	33.02	1.432	36.37	0.066	1.68	1.166	29.62	0.130	3.30				
68666-013	30	30	14	1.400	35.56	1.532	38.91	0.066	1.68	1.266	32.16	0.130	3.30				
68666-014	32	32	15	1.500	38.10	1.632	41.45	0.066	1.68	1.366	34.70	0.130	3.30				
68666-015	34	34	16	1.600	40.64	1.732	43.99	0.066	1.68	1.466	37.24	0.130	3.30				
68666-016	36	36	17	1.700	43.18	1.832	46.53	0.066	1.68	1.566	39.78	0.130	3.30				
68666-017	38	38	18	1.800	45.72	1.932	49.07	0.066	1.68	1.666	42.32	0.130	3.30				
68666-018	40	40	19	1.900	48.26	2.032	51.61	0.066	1.68	1.766	44.86	0.130	3.30				
68666-019	42	42	20	2.000	50.80	2.132	54.15	0.066	1.68	1.866	47.40	0.130	3.30				
68666-020	44	44	21	2.100	53.34	2.232	56.69	0.066	1.68	1.966	49.94	0.130	3.30				
68666-021	46	46	22	2.200	55.88	2.332	59.23	0.066	1.68	2.066	52.48	0.130	3.30				
68666-022	48	48	23	2.300	58.42	2.432	61.77	0.066	1.68	2.166	55.02	0.130	3.30				
68666-023	50	50	24	2.400	60.96	2.532	64.31	0.066	1.68	2.266	57.56	0.130	3.30				
68666-024	52	52	25	2.500	63.50	2.632	66.85	0.066	1.68	2.366	60.10	0.130	3.30				
68666-025	54	54	26	2.600	66.04	2.732	69.39	0.066	1.68	2.466	62.64	0.130	3.30				
68666-026	56	56	27	2.700	68.58	2.832	71.93	0.066	1.68	2.566	65.18	0.130	3.30				
68666-027	58	58	28	2.800	71.12	2.932	74.47	0.066	1.68	2.666	67.72	0.130	3.30				
68666-028	60	60	29	2.900	73.66	3.032	77.01	0.066	1.68	2.766	70.26	0.130	3.30				
68666-029	62	62	30	3.000	76.20	3.132	79.55	0.066	1.68	2.866	72.80	0.130	3.30				
68666-030	64	64	31	3.100	78.74	3.232	82.09	0.066	1.68	2.966	75.34	0.130	3.30				
68666-031	66	66	32	3.200	81.28	3.332	84.63	0.066	1.68	3.066	77.88	0.130	3.30				
68666-032	68	68	33	3.300	83.82	3.432	87.17	0.066	1.68	3.166	80.42	0.130	3.30				
68666-033	70	70	34	3.400	86.36	3.532	89.71	0.066	1.68	3.266	82.96	0.130	3.30				
68666-034	72	72	35	3.500	88.90	3.632	92.25	0.066	1.68	3.366	85.50	0.130	3.30	30u"/0.76μ GXT	----	----	



Copyright FCI

mat'l. code		surface ISO 1302 ✓		tolerance ISO 406 ISO 1101		projection 		product family HEADER			
ltr	ecn	no	dr	date	tolerances unless otherwise specified		title		STRAIGHT HEADER FOR ROUND WIRE RECEPTACLE		
D					angles	linear	INCH/MM		scale 8:1		
					0°±2'	.XX±.01/.3 .XXX±.005/.13 .XXXX±.0020/.051			sheet 3 of 6 size		
					dr	M. CORNMAN	9/18/90			68666 A3	
					enr	M. LEACH	9/18/90			type Product Customer Drawing	
					chr	M. LEACH	9/18/90				
					appd	M. LEACH	9/18/90				
sheet index	revision sheet										

REAR SLOT VIEW G-G														POL. POS		
PRODUCT NO	NO. OF		A	DIM B	DIM B	DIM C	DIM C	DIM D	DIM D	DIM E	DIM E	DIM F	DIM F	TERMINAL	POL. POS	
NOTE 9	POS	PINS	SPACES	ENGLISH	METRIC	ENGLISH	METRIC	ENGLISH	METRIC	ENGLISH	METRIC	ENGLISH	METRIC	PLATING	ROW A	ROW B
68666-035	6	6	2	0.200	5.08	0.332	8.43	0.066	1.68	0.000	0.00	0.155	3.94	30µ"/0.0.76µ GXT	- - -	- - -
68666-036	8	8	3	0.300	7.62	0.432	10.97	0.066	1.68	0.000	0.00	0.155	3.94			
68666-037	10	10	4	0.400	10.16	0.532	13.51	0.166	4.22	0.000	0.00	0.155	3.94			
68666-038	12	12	5	0.500	12.70	0.632	16.05	0.166	4.22	0.000	0.00	0.155	3.94			
68666-039	14	14	6	0.600	15.24	0.732	18.59	0.266	6.76	0.000	0.00	0.155	3.94			
68666-040	16	16	7	0.700	17.78	0.832	21.13	0.266	6.76	0.000	0.00	0.155	3.94			
68666-041	18	18	8	0.800	20.32	0.932	23.67	0.366	9.30	0.000	0.00	0.155	3.94			
68666-042	20	20	9	0.900	22.86	1.032	26.21	0.066	1.68	0.766	19.46	0.155	3.94			
68666-043	22	22	10	1.000	25.40	1.132	28.75	0.066	1.68	0.866	22.00	0.155	3.94			
68666-044	24	24	11	1.100	27.94	1.232	31.29	0.066	1.68	0.966	24.54	0.155	3.94			
68666-045	26	26	12	1.200	30.48	1.332	33.83	0.066	1.68	1.066	27.08	0.155	3.94			
68666-046	28	28	13	1.300	33.02	1.432	36.37	0.066	1.68	1.166	29.62	0.155	3.94			
68666-047	30	30	14	1.400	35.56	1.532	38.91	0.066	1.68	1.266	32.16	0.155	3.94			
68666-048	32	32	15	1.500	38.10	1.632	41.45	0.066	1.68	1.366	34.70	0.155	3.94			
68666-049	34	34	16	1.600	40.64	1.732	43.99	0.066	1.68	1.466	37.24	0.155	3.94			
68666-050	36	36	17	1.700	43.18	1.832	46.53	0.066	1.68	1.566	39.78	0.155	3.94			
68666-051	38	38	18	1.800	45.72	1.932	49.07	0.066	1.68	1.666	42.32	0.155	3.94			
68666-052	40	40	19	1.900	48.26	2.032	51.61	0.066	1.68	1.766	44.86	0.155	3.94			
68666-053	42	42	20	2.000	50.80	2.132	54.15	0.066	1.68	1.866	47.40	0.155	3.94			
68666-054	44	44	21	2.100	53.34	2.232	56.69	0.066	1.68	1.966	49.94	0.155	3.94			
68666-055	46	46	22	2.200	55.88	2.332	59.23	0.066	1.68	2.066	52.48	0.155	3.94			
68666-056	48	48	23	2.300	58.42	2.432	61.77	0.066	1.68	2.166	55.02	0.155	3.94			
68666-057	50	50	24	2.400	60.96	2.532	64.31	0.066	1.68	2.266	57.56	0.155	3.94			
68666-058	52	52	25	2.500	63.50	2.632	66.85	0.066	1.68	2.366	60.10	0.155	3.94			
68666-059	54	54	26	2.600	66.04	2.732	69.39	0.066	1.68	2.466	62.64	0.155	3.94			
68666-060	56	56	27	2.700	68.58	2.832	71.93	0.066	1.68	2.566	65.18	0.155	3.94			
68666-061	58	58	28	2.800	71.12	2.932	74.47	0.066	1.68	2.666	67.72	0.155	3.94			
68666-062	60	60	29	2.900	73.66	3.032	77.01	0.066	1.68	2.766	70.26	0.155	3.94			
68666-063	62	62	30	3.000	76.20	3.132	79.55	0.066	1.68	2.866	72.80	0.155	3.94			
68666-064	64	64	31	3.100	78.74	3.232	82.09	0.066	1.68	2.966	75.34	0.155	3.94			
68666-065	66	66	32	3.200	81.28	3.332	84.63	0.066	1.68	3.066	77.88	0.155	3.94			
68666-066	68	68	33	3.300	83.82	3.432	87.17	0.066	1.68	3.166	80.42	0.155	3.94			
68666-067	70	70	34	3.400	86.36	3.532	89.71	0.066	1.68	3.266	82.96	0.155	3.94			
68666-068	72	72	35	3.500	88.90	3.632	92.25	0.066	1.68	3.366	85.50	0.155	3.94	30µ"/0.76µ GXT	- - -	- - -



mat'l. code		surface ISO 1302 ✓		tolerance ISO 406 ISO 1101		projection ⊕		product family HEADER	
ltr	ecn	no	dr	date		tolerances unless otherwise specified		title	
D						angles	linear	INCH/MM	
						0°±2'	.XX±.01/.3	STRAIGHT HEADER FOR	
							.XXX±.005/.13	ROUND WIRE RECEPTACLE	
						dr	M. CORNMAN	9/18/90	scale 8:1
						enr	M. LEACH	9/18/90	dwg no
						chr	M. LEACH	9/18/90	sheet 4 of 6
						appd	M. LEACH	9/18/90	size
sheet index		revision sheet						A3	
								type Product Customer Drawing	

PRODUCT NO		NO.OF		A	DIM B	DIM B	DIM C	DIM C	REAR SLOT VIEW G-G				DIM F		TERMINAL	POL. POS		
NOTE 9	POS	PINS	SPACES	ENGLISH	METRIC	ENGLISH	METRIC	ENGLISH	METRIC	ENGLISH	METRIC	ENGLISH	METRIC	ENGLISH	METRIC	PLATING	ROW A	ROW B
68666-069	6	6	2	0.200	5.08	0.332	8.43	0.066	1.68	0.000	0.00	0.200	5.08	30μ"/0.76μ GXT	----	----		
68666-070	8	8	3	0.300	7.62	0.432	10.97	0.066	1.68	0.000	0.00	0.200	5.08					
68666-071	10	10	4	0.400	10.16	0.532	13.51	0.166	4.22	0.000	0.00	0.200	5.08					
68666-072	12	12	5	0.500	12.70	0.632	16.05	0.166	4.22	0.000	0.00	0.200	5.08					
68666-073	14	14	6	0.600	15.24	0.732	18.59	0.266	6.76	0.000	0.00	0.200	5.08					
68666-074	16	16	7	0.700	17.78	0.832	21.13	0.266	6.76	0.000	0.00	0.200	5.08					
68666-075	18	18	8	0.800	20.32	0.932	23.67	0.366	9.30	0.000	0.00	0.200	5.08					
68666-076	20	20	9	0.900	22.86	1.032	26.21	0.066	1.68	0.766	19.46	0.200	5.08					
68666-077	22	22	10	1.000	25.40	1.132	28.75	0.066	1.68	0.866	22.00	0.200	5.08					
68666-078	24	24	11	1.100	27.94	1.232	31.29	0.066	1.68	0.966	24.54	0.200	5.08					
68666-079	26	26	12	1.200	30.48	1.332	33.83	0.066	1.68	1.066	27.08	0.200	5.08					
68666-080	28	28	13	1.300	33.02	1.432	36.37	0.066	1.68	1.166	29.62	0.200	5.08					
68666-081	30	30	14	1.400	35.56	1.532	38.91	0.066	1.68	1.266	32.16	0.200	5.08					
68666-082	32	32	15	1.500	38.10	1.632	41.45	0.066	1.68	1.366	34.70	0.200	5.08					
68666-083	34	34	16	1.600	40.64	1.732	43.99	0.066	1.68	1.466	37.24	0.200	5.08					
68666-084	36	36	17	1.700	43.18	1.832	46.53	0.066	1.68	1.566	39.78	0.200	5.08					
68666-085	38	38	18	1.800	45.72	1.932	49.07	0.066	1.68	1.666	42.32	0.200	5.08					
68666-086	40	40	19	1.900	48.26	2.032	51.61	0.066	1.68	1.766	44.86	0.200	5.08					
68666-087	42	42	20	2.000	50.80	2.132	54.15	0.066	1.68	1.866	47.40	0.200	5.08					
68666-088	44	44	21	2.100	53.34	2.232	56.69	0.066	1.68	1.966	49.94	0.200	5.08					
68666-089	46	46	22	2.200	55.88	2.332	59.23	0.066	1.68	2.066	52.48	0.200	5.08					
68666-090	48	48	23	2.300	58.42	2.432	61.77	0.066	1.68	2.166	55.02	0.200	5.08					
68666-091	50	50	24	2.400	60.96	2.532	64.31	0.066	1.68	2.266	57.56	0.200	5.08					
68666-092	52	52	25	2.500	63.50	2.632	66.85	0.066	1.68	2.366	60.10	0.200	5.08					
68666-093	54	54	26	2.600	66.04	2.732	69.39	0.066	1.68	2.466	62.64	0.200	5.08					
68666-094	56	56	27	2.700	68.58	2.832	71.93	0.066	1.68	2.566	65.18	0.200	5.08					
68666-095	58	58	28	2.800	71.12	2.932	74.47	0.066	1.68	2.666	67.72	0.200	5.08					
68666-096	60	60	29	2.900	73.66	3.032	77.01	0.066	1.68	2.766	70.26	0.200	5.08					
68666-097	62	62	30	3.000	76.20	3.132	79.55	0.066	1.68	2.866	72.80	0.200	5.08					
68666-098	64	64	31	3.100	78.74	3.232	82.09	0.066	1.68	2.966	75.34	0.200	5.08					
68666-099	66	66	32	3.200	81.28	3.332	84.63	0.066	1.68	3.066	77.88	0.200	5.08					
68666-100	68	68	33	3.300	83.82	3.432	87.17	0.066	1.68	3.166	80.42	0.200	5.08					
68666-101	70	70	34	3.400	86.36	3.532	89.71	0.066	1.68	3.266	82.96	0.200	5.08					
68666-102	72	72	35	3.500	88.90	3.632	92.25	0.066	1.68	3.366	85.50	0.200	5.08	30μ"/0.76μ GXT	----	----		



Copyright FCI

mat'l. code		surface ISO 1302 ✓		tolerance ISO 406 ISO 1101		projection ⊕		product family HEADER	
ltr	ecn	no	dr	date		tolerances unless otherwise specified		title	
D						angles	linear	INCH/MM	
						0°±2'	.XX±.01/.3	STRAIGHT HEADER FOR ROUND WIRE RECEPTACLE	
							.XXX±.005/.13	scale 8:1	
						dr	M. CORNMAN	9/18/90	dwg no
						enrg	M. LEACH	9/18/90	sheet 5 of 6
						chr	M. LEACH	9/18/90	size
						appd	M. LEACH	9/18/90	A3
sheet index		revision sheet						type Product Customer Drawing	

PRODUCT NO		NO.OF		A	DIM B	DIM B	DIM C	DIM C	REAR SLOT VIEW G-G				DIM F	DIM F	TERMINAL	POL. POS	
NOTE 9	POS	PINS	SPACES	ENGLISH	METRIC	ENGLISH	METRIC	ENGLISH	METRIC	ENGLISH	METRIC	ENGLISH	METRIC	PLATING	ROW A	ROW B	
68666-103	6	6	2	0.200	5.08	0.332	8.43	0.066	1.68	0.000	0.00	0.380	9.65	30μ"/0.76μ GXT	-----	-----	
68666-104	8	8	3	0.300	7.62	0.432	10.97	0.066	1.68	0.000	0.00	0.380	9.65				
68666-105	12	12	5	0.500	12.70	0.632	16.05	0.166	4.22	0.000	0.00	0.380	9.65				
68666-106	16	16	7	0.700	17.78	0.832	21.13	0.266	6.76	0.000	0.00	0.380	6.65				
68666-107	20	20	9	0.900	22.86	1.032	26.21	0.066	1.68	0.766	19.46	0.380	9.65		-----	-----	
68666-108	14	13	6	0.600	15.24	0.732	18.59	0.266	6.76	0.000	0.00	0.130	3.30	30μ"/0.76μ GXT	1	-----	



mat'l. code		surface ISO 1302 ✓		tolerance ISO 406 ISO 1101		projection 		product family HEADER	
ltr	ecn	no	dr	date		tolerances unless otherwise specified		title	
D						angles	linear	INCH/MM	
						0°±2'	.XX±.01/.3 .XXX±.005/.13 .XXXX±.0020/.051	scale 8:1	
				dr		M. CORNMAN	9/18/90	FCI	
				enr		M. LEACH	9/18/90	dwg no	
				chr		M. LEACH	9/18/90	sheet 6 of 6	
				appd		M. LEACH	9/18/90	size	
sheet index		revision sheet						68666 A3	
								type Product Customer Drawing	